

## COMMERCIAL HEAVY DUTY



### Product Specifications

<b>Shape</b>	Round
<b>Seat Material</b>	Polypropylene
<b>Seat Form</b>	Open front
<b>Commercial Hinge</b>	Yes
<b>Bolt Material</b>	Stainless steel
<b>Hardware Material</b>	Stainless Steel
<b>Check Hinge</b>	Yes
<b>Cover</b>	Yes
<b>Custom Gasket</b>	Yes
<b>Color</b>	Black

---

**Warranty** 1 year limited warranty

---

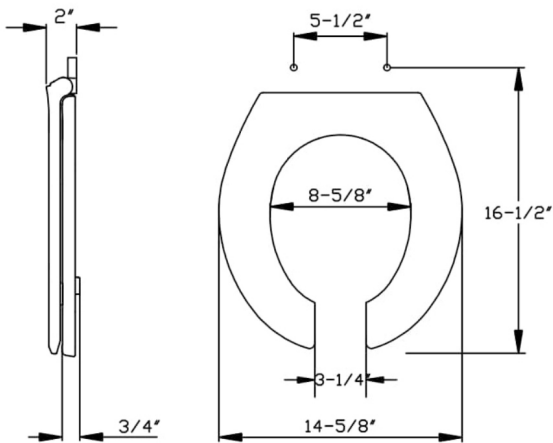
**Available Colors** White, bone, black,

---

### Features

#### Commercial Hinge

Includes commercial grade hinges. One piece solid metal hinge pin and bolt over molded with plastic.



Dimensions shown are nominal and may vary within a range of tolerance. Product specifications are subject to change without notice.